

Standard Preparation Cupboard with 3 Drawers - no top, 500mm

ITEM # _____

MODEL # _____

NAME # _____

SIS # _____

AIA # _____



133178 (RAU5003DW)

 Cupboard with 3 drawers -
no Top, 500mm

Short Form Specification

Item No. _____

Made entirely from stainless steel. Inner welded frame in stainless steel.

No top unit for integrated solutions. Base panel in 304 AISI stainless steel and height-adjustable intermediate shelf. 3 GN 1/1 Drawers made in 304 AISI stainless steel with rounded corners. Mounted on feet, adjustable in height.

Main Features

- Ideal for central positioning in the kitchen, either as island installation or back to back.
- Handles in stainless steel for better hygiene and reliability.
- Sturdiness, stability and reliability of table accurately tested.

Construction

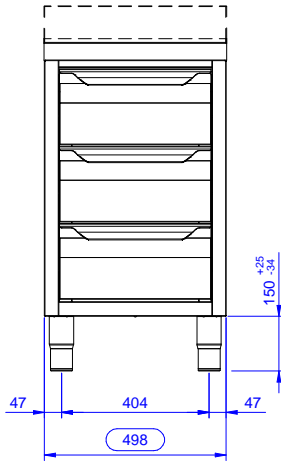
- Reinforced side and base panel in 304 AISI stainless steel.
- 304 AISI stainless steel feet, 200 mm high and 54 mm in diameter, adjustable by -50/+30 mm.
- Inner welded frame in stainless steel to guarantee superior strength and stability.
- 100 mm upstand with 10 mm radiused corner and 13 mm deep, designed to be used against a wall.
- Without top for integrated solutions.

Optional Accessories

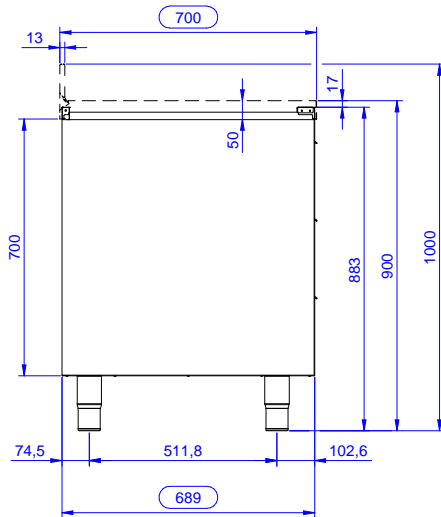
- Stainless steel front kicking strip PNC 133205
- Side kicking strip, 700 mm PNC 133206

APPROVAL: _____

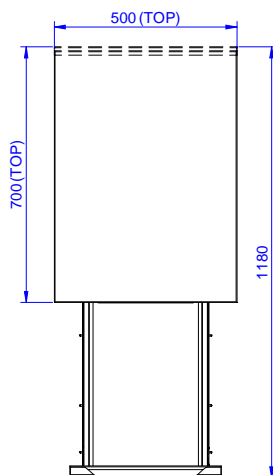
Front



Side



Top



Key Information:

External dimensions, Width:	
133178 (RAU5003DW)	500 mm
External dimensions, Depth:	700 mm
External dimensions, Height:	883 mm
Number and type of doors:	Sliding
Net weight:	39 kg